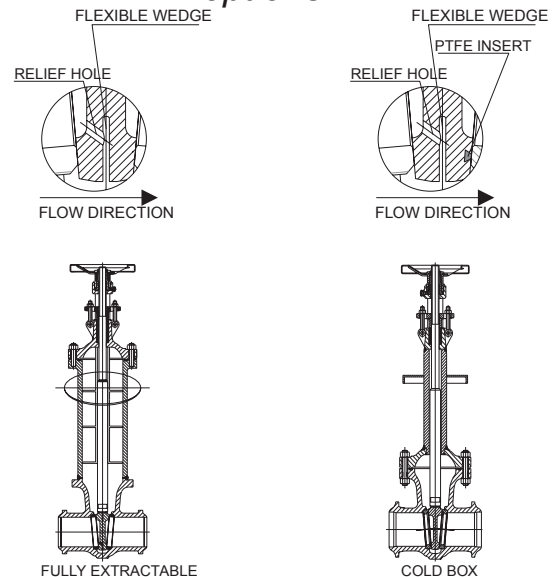


standard features

- **Description** EXTENDED BONNET
BOLTED BONNET
OUTSIDE SCREW AND YOKE
RISING STEM
NON RISING HANDWHEEL
- **Design** API 600
BS 1414
ASME B16.34
ISO 10434
- **Face to face** ASME B16.10
- **Flanges** ASME B16.5 (2" ÷ 24")
ASME B16.47 (≥ 26")
BW TO ASME B16.25
- **Testing** API 598
EN 12266
- **Rating** ASME B16.34
- **Marking** MSS-SP 25
CE - PED
- **Certificates** EN 10204 – 3.1 / 3.2

PART NAME	E45xEB	F45xEB
1 Body	CF8	CF8M
2 Bonnet	CF8	CF8M
3 Seat ring surface	F316 (1)	F316 (1)
4 Wedge seat surfaces	F316 (2)	F316 (2)
5 Stem	F316 (3)	F316 (3)
6 Back seat (integral)	CF8 (2)	CF8M (2)
7 Gland	F316 (3)	F316 (3)
8 Gland flange	F316	F316
9 Yoke sleeve	B148 9A (4)	B148 9A (4)
10 Yoke nut	F316	F316
11 Handwheel	Steel	Steel
12 Handwheel nut	A105	A105
13 Bolts	B8	B8
14 Nuts	G8	G8
15 Eye bolts	B8	B8
16 Nuts	G8	G8
17 Eye bolt pin	B8	B8
18 Gasket	PTFE (5)	PTFE (5)
19 Packing	PTFE (6)	PTFE (6)
20 Grease nipple	F316	F316
21 Extension	F304L	F316L

options



- (1) On request: faced with Stellite® - Monel® - Hastelloy® - other materials
- (2) On request: faced with Stellite® - Monel® - Hastelloy® - other materials
- (3) On request: 17 Cr - Monel® - Hastelloy® - other materials

- (4) On request: Nodular Iron - Nitronic 60
- (5) On request: Graphite - other materials
- (6) On request: Graphite - other materials

All data, subject to technical changes, are only for information and not for official use.

FIG. N. 450EB - CRYOGENIC GATE VALVES OVAL BODY ASME CLASS 150

SIZE	2"	2½"	3"	4"	5"	6"	8"	10"	12"	14"	16"	18"	20"	24"	28"	30"	32"	34"	36"	40"
L RF	178	191	203	229	254	267	292	330	356	381	406	432	457	508	610	610	660	711	711	762
L BW	216	241	282	305	381	403	419	457	502	571	610	660	711	813	914	914	965	1016	1016	1168
D	152	178	191	229	254	279	343	406	483	533	597	635	699	813	927	984	1060	1111	1168	1289
V	200	200	225	250	250	300	400	500	500	600	600	700	700	800	G.O.	G.O.	G.O.	G.O.	G.O.	G.O.
W	200	200	300	300	300	300	300	300	300	300	300	300	300	300	--	--	--	--	--	--
H	550	620	730	770	860	900	1075	1390	1540	1600	1800	1950	2100	2500	--	--	--	--	--	--
H1	600	690	810	870	990	1050	1280	1650	1850	1950	2200	2550	2800	3400	--	--	--	--	--	--

FIG. N. 451EB - CRYOGENIC GATE VALVES ASME CLASS 300

SIZE	2"	2½"	3"	4"	5"	6"	8"	10"	12"	14"	16"	18"	20"	24"	28"	30"	32"	34"	36"	40"
L RF/BW	216	241	282	305	381	403	419	457	502	762	838	914	991	1143	1346	1397	1524	1626	1727	1930
L RTJ	232	257	298	321	397	419	435	473	518	778	854	930	1010	1165	1371	1422	1552	1654	1755	--
D	165	191	210	254	279	318	381	445	521	584	648	711	775	914	1035	1092	1149	1207	1270	1238
V	200	200	225	250	300	400	500	500	600	600	700	700	800	900	G.O.	G.O.	G.O.	G.O.	G.O.	G.O.
W	200	200	300	300	300	300	300	300	300	300	300	300	300	300	--	--	--	--	--	--
H	600	630	800	830	920	1030	1210	1410	1540	1700	1880	2000	2200	2600	--	--	--	--	--	--
H1	650	700	880	930	1045	1180	1280	1660	1840	2050	2280	2150	2400	2750	--	--	--	--	--	--

FIG. N. 452EB - CRYOGENIC GATE VALVES ASME CLASS 600

SIZE	2"	3"	4"	6"	8"	10"	12"	14"	16"	18"	20"	24"
L RF/BW	292	356	432	559	660	787	838	889	991	1092	1194	1397
L RTJ	295	359	435	562	663	791	841	892	994	1095	1200	1407
D	165	210	273	356	419	508	559	603	686	743	813	940
V	200	250	400	500	600	700	700	800	900	1000	1600	G.O.
W	200	300	300	300	300	300	300	300	300	300	300	300
H	640	840	850	1100	1260	1455	1620	1780	1980	2130	2230	2460
H1	700	920	950	1250	1460	1710	1930	2130	2400	2580	2730	3100

FIG. N. 453EB - CRYOGENIC GATE VALVES ASME CLASS 900

SIZE	2"	3"	4"	6"	8"	10"	12"	14"	16"	18"	20"	24"
L RF/BW	368	381	457	610	737	838	965	1029	1130	1219	1321	1549
L RTJ	371	384	460	613	740	841	968	1038	1140	1232	1334	1568
D	216	241	292	381	470	546	610	641	705	787	857	1041
V	250	300	400	600	650	700	900	1000	G.O.	G.O.	G.O.	G.O.
W	200	300	300	300	300	300	300	300	300	300	300	300
H	650	900	970	1190	1414	1555	1739	1885	1939	2135	2270	2530
H1	700	980	1070	1350	1620	1820	2050	2250	2350	2600	2800	3150

FIG. N. 454EB - CRYOGENIC GATE VALVES ASME CLASS 1500

SIZE	2"	3"	4"	6"	8"	10"	12"	14"	16"	18"	20"	24"
L RF/BW	368	470	546	705	832	991	1130	1257	1384	1537	1664	1943
L RTJ	371	473	549	711	842	1000	1146	1276	1407	1559	1686	1972
D	216	267	311	394	483	584	673	749	826	914	984	1168
V	250	400	500	600	700	900	1600	1600	G.O.	G.O.	G.O.	G.O.
W	200	300	300	300	300	300	300	300	300	300	300	300
H	650	920	1060	1230	1448	1555	1739	1885	1939	2135	2270	2530
H1	700	1000	1170	1390	1660	1820	2050	2250	2350	2600	2800	3150

features on request

- TOP FLANGE TO ISO 5210
- GEAR OPERATOR
- CHAIN WHEEL OPERATOR
- PNEUMATIC ACTUATOR
- HYDRAULIC ACTUATOR
- ELECTRIC ACTUATOR
- POSITION INDICATOR
- LIMIT SWITCHES
- LOCKING / INTERLOCK SYSTEM
- PTFE SOFT SEATS
- STEM PROTECTION
- STEM EXTENSION
- LANTERN RING
- EXTENDED STUFFING BOX
- LIVE LOADED PACKING
- DRAIN PLUG
- BY PASS
- BW ENDS
- DIN CONNECTIONS

All dimensions in mm (except where differently indicated)

All data, subject to technical changes, are only for information and not for official use.