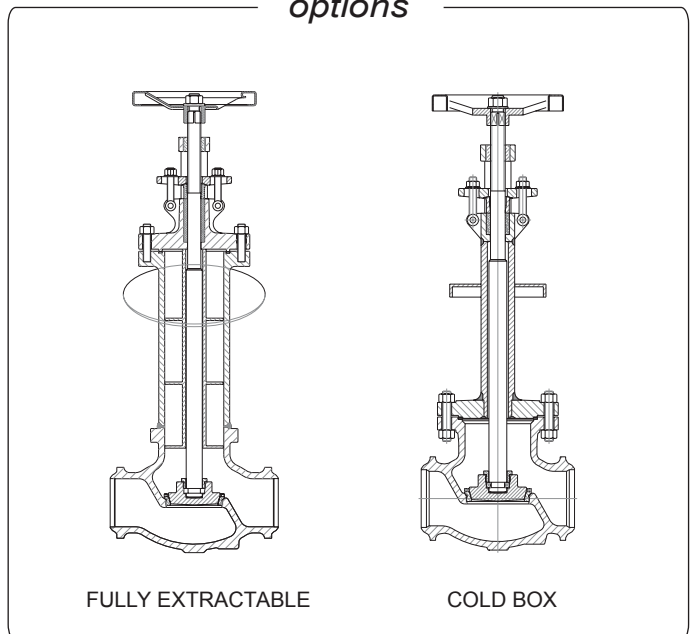


standard features

- **Description** BOLTED BONNET
EXTENDED BONNET
OUTSIDE SCREW AND YOKE
RISING STEM
RISING HANDWHEEL
SWIVEL PLUG DISC
- **Design** BS 1873
ASME B16.34
API 623
- **Face to face** ASME B16.10
- **Ends** ASME B16.5
BW ENDS TO ASME B16.25
- **Testing** API 598
EN 12266
- **Rating** ASME B16.34
- **Marking** MSS-SP 25
CE - PED
- **Certificates** EN 10204 – 3.1 / 3.2

PART NAME	E46xEB	F46xEB
1 Body	CF8	CF8M
2 Bonnet	CF8	CF8M
3 Seat ring surface	F316 (1)	F316 (1)
4 Disc seat surface	F316 (2)	F316 (2)
5 Stem	F316 (3)	F316 (3)
6 Back seat (integral)	CF8	CF8M
7 Gland	F316	F316
8 Gland flange	F316	F316
9 Yoke sleeve	B148 9A (4)	B148 9A (4)
10 Disc nut	F316	F316
11 Handwheel	Steel	Steel
12 Plate	A105	A105
13 Handwheel nut	A105	A105
14 Bolts	B8	B8
15 Nuts	G8	G8
16 Eye bolts	B8	B8
17 Nuts	G8	G8
18 Eye bolt pin	B8	B8
19 Gasket	PTFE (5)	PTFE (5)
20 Packing	PTFE (6)	PTFE (6)
21 Extension	F316L	F316L

options



(1) On request: faced with Stellite® - Monel® - Hastelloy® - other materials
 (2) On request: faced with Stellite® - Monel® - Hastelloy® - other materials
 (3) On request: 17 Cr - Monel® - Hastelloy® - other materials

(4) On request: Nodular Iron - Nitronic 60
 (5) On request: PTFE - other materials
 (6) On request: PTFE - other materials

All data, subject to technical changes, are only for information and not for official use.

FIG. N. 460EB - CRYOGENIC GLOBE VALVES ASME CLASS 150

SIZE	2"	2½"	3"	4"	5"	6"	8"	10"	12"	14"	16"	--	--	--	--
L RF/BW	203	216	241	292	356	406	495	622	699	787	914	--	--	--	--
L RTJ	216	219	254	305	368	419	508	635	711	800	927	--	--	--	--
D	152	178	191	229	254	279	343	406	483	533	597	--	--	--	--
V	200	200	225	250	300	300	500 *	700*	700 *	800 *	1000 *	--	--	--	--
W	200	200	300	300	300	300	300	300	300	300	300	--	--	--	--
H	520	550	680	740	780	860	980	1050	1160	1240	1320	--	--	--	--
H1	535	570	704	770	818	905	1040	1125	1250	1360	1490	--	--	--	--

FIG. N. 461EB - CRYOGENIC GLOBE VALVES ASME CLASS 300

SIZE	2"	2½"	3"	4"	5"	6"	8"	10"	12"	14"	16"	--	--	--	--
L RF/BW	267	292	318	356	400	445	559	622	711	838	864	--	--	--	--
L RTJ	282	308	333	371	416	460	575	638	727	854	879	--	--	--	--
D	165	191	210	254	279	318	381	445	521	584	648	--	--	--	--
V	200	225	225	300	300	500*	600*	700*	700*	800*	1000*	--	--	--	--
W	200	200	300	300	300	300	300	300	300	300	300	--	--	--	--
H	590	600	710	730	870	980	1100	1150	1310	1450	1530	--	--	--	--
H1	605	620	734	760	908	1025	1160	1225	1400	1555	1660	--	--	--	--

FIG. N. 462EB - CRYOGENIC GLOBE VALVES ASME CLASS 600

SIZE	2"	2½"	3"	4"	5"	6"	8"	10"	12"	14"	16"	--	--	--	--
L RF/BW	292	330	356	432	508	559	660	787	838	889	991	--	--	--	--
L RTJ	295	333	359	435	511	562	663	790	841	892	994	--	--	--	--
D	165	191	210	273	330	356	419	508	559	603	686	--	--	--	--
V	200	250	250	400*	500*	700*	1000*	1000*	1000*	1000*	1000*	--	--	--	--
W	200	200	300	300	300	300	300	300	300	300	300	--	--	--	--
H	550	715	845	900	986	1080	1140	1535	1611	1700	1820	--	--	--	--
H1	565	735	869	930	1024	1125	1200	1610	1701	1800	1930	--	--	--	--

FIG. N. 463EB - CRYOGENIC GLOBE VALVES ASME CLASS 900

SIZE	2"	2½"	3"	4"	5"	6"	8"	10"	12"
L RF/BW	368	419	381	457	559	610	737	838	965
L RTJ	371	422	384	460	562	613	740	842	968
D	216	244	241	292	349	381	470	546	610
V	400	400	500*	600*	700*	1000*	1000*	1000*	1000*
W	200	200	300	300	300	300	300	300	300
H	775	890	890	1020	1170	1273	1440	1800	1980
H1	790	910	914	1050	1208	1318	1500	1875	2070

FIG. N. 464EB - CRYOGENIC GLOBE VALVES ASME CLASS 1500

SIZE	2"	2½"	3"	4"	5"	6"	8"	10"	12"
L RF/BW	368	419	470	546	673	705	832	991	1130
L RTJ	371	422	473	549	676	711	842	1000	1146
D	216	244	267	311	375	394	483*	584*	673*
V	400*	400*	500*	700*	700*	900*	1000	1000	1000
W	200	200	300	300	300	300	300	300	300
H	775	890	1070	1140	1202	1273	1343	1970	2050
H1	790	910	1094	1170	1240	1318	1403	2045	2160

* Gear operator recommended

features on request

- TOP FLANGE TO ISO 5210
- GEAR OPERATOR
- CHAIN WHEEL OPERATOR
- PNEUMATIC ACTUATOR
- HYDRAULIC ACTUATOR
- ELECTRIC ACTUATOR
- POSITION INDICATOR
- LIMIT SWITCHES
- LOCKING / INTERLOCK SYSTEM
- DISC WITH PTFE INSERT
- PARABOLIC DISC
- STOP CHECK DISC
- STEM PROTECTION
- STEM EXTENSION
- LANTERN RING
- EXTENDED STUFFING BOX
- LIVE LOADED PACKING
- DRAIN PLUG
- BY PASS
- BW ENDS
- DIN CONNECTIONS